

Model: C-8041



Specification

Function: 4V1H1D

Laser Class: 2

Laser Diode: 5x635nm

Centering Laser Diode: 650nm

Working Range: 25M

Auto-Leveling Range: Approx. $\pm 3.0^\circ$

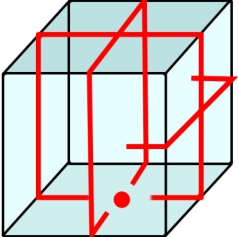
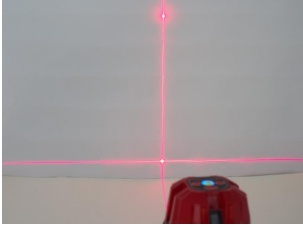
Accuracy: $\pm 1\text{mm}/5\text{M}$

Power Supply: 3x1.5V LR6(AA)

Operating Time: Approx. 6 hours

Working Temperature: $-10^\circ\text{C} \sim +45^\circ\text{C}$

Weight: 1.25kg (with Battery)

*The picture featured above is for reference only. Actual product specification might vary